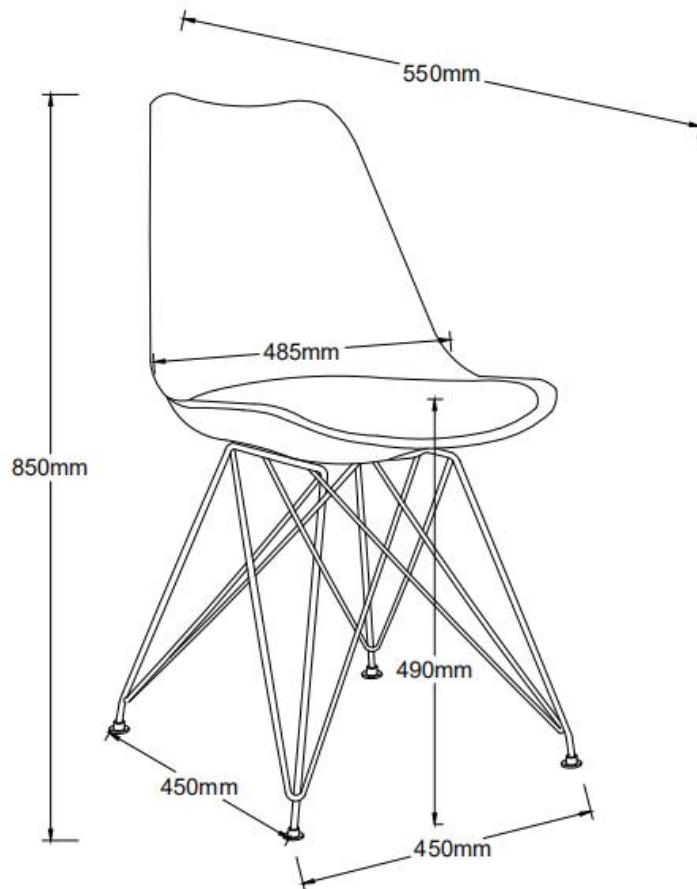


ASSEMBLY INSTRUCTION

Pena

Dining chair

ITEM CODE:71459

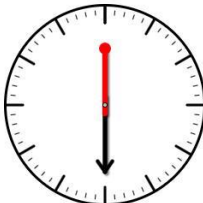



Imported by JWA Furniture Pty Ltd, Qld, Brisbane Australia.
For any assistance with assembly or for missing parts please refer to your receipt

PRE-ASSEMBLY PREPARATION

Before you start:

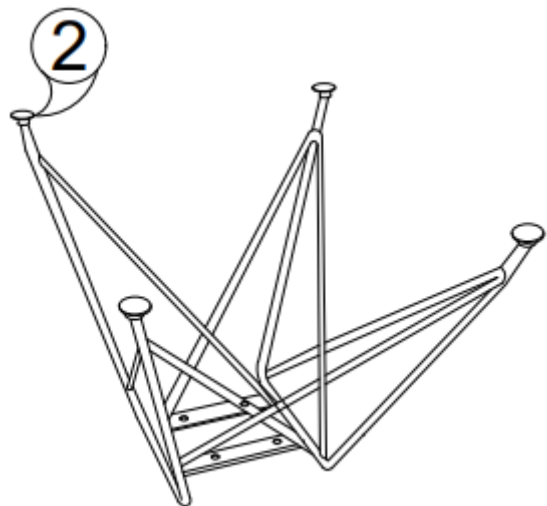
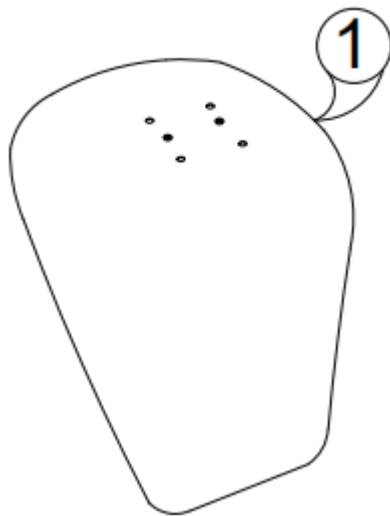
1. Choose a clean, level, spacious assembly area. Avoid hard surfaces that may damage the product
2. Take care when lifting. Product should be assembled as near as possible to the point of use
3. Ensure that you have all required contents for complete assembly
4. Always read the assembly instructions carefully before beginning assembly.
5. Keep all hardware parts and packaging out of reach of small children.
6. Do not over tighten the screws and bolts as this may damage the threads
7. Assembly is to be carried out by a competent adult(s) ONLY
8. During assembly, children should be kept away from the product due to possible risk to injury.
9. Do not use this item if any components are missing or damaged.
10. Please keep the instructions for future reference.

	
Allow 30 min	For 1 person

PARTS LIST

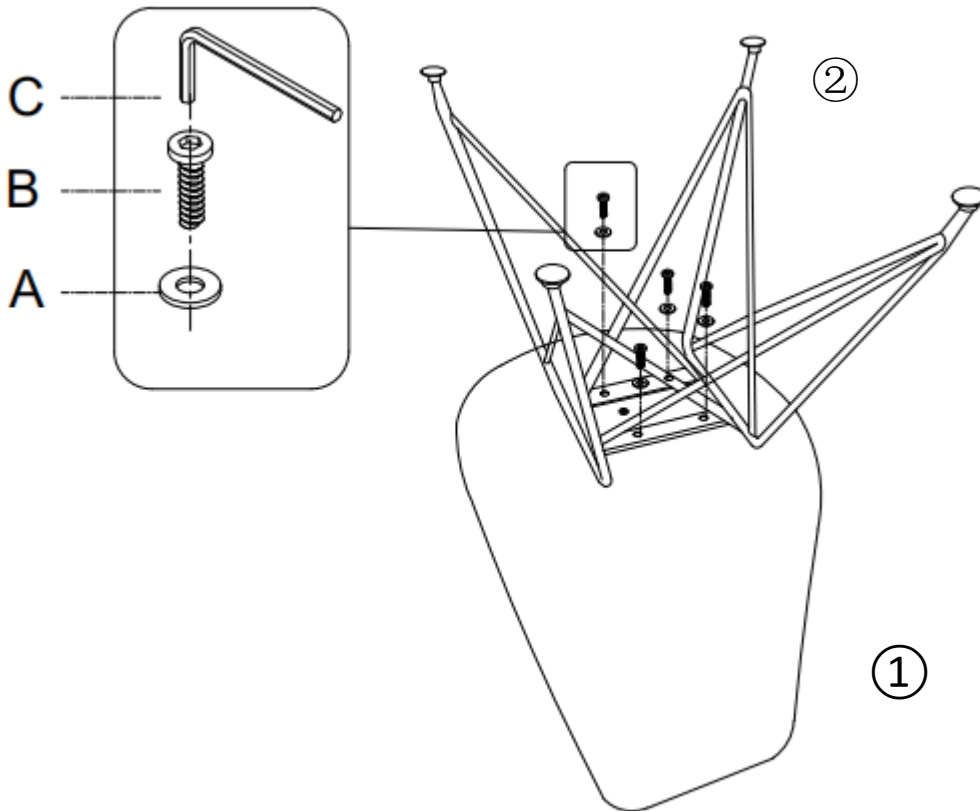
A	 x4 Ø6*Ø16*1.2mm	B	 x4 M6*20mm	C	 x1 #5
----------	---	----------	--	----------	---

①	Seat
②	Leg



STEP 1:

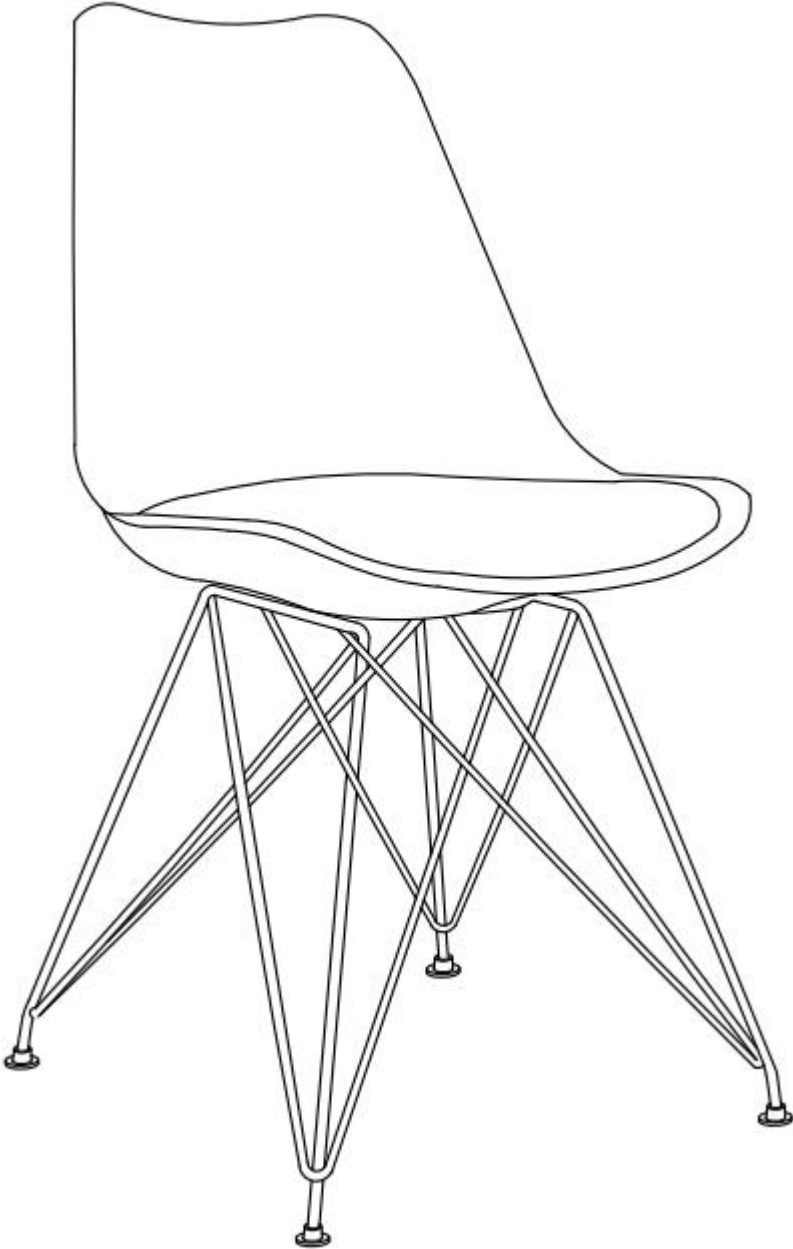
- Insert bolt B into flat washer A with Allen Key C to connect the Leg ② with the seat ①. Loosely tighten for now.



STEP 2:

- Stand the chair, top side up. Place it on a level surface. Adjust the legs until the chair is level. Now go around and firmly tighten all the bolts.

ASSEMBLY IS COMPLETE



PRODUCT CARE:

To protect your furniture, we suggest the following:

- Avoid placing your furniture in direct sunlight.
- Do not place furniture directly under windows.
- Do not place sharp materials (knife, fork, etc.) directly onto your furniture as sharp material may scrape and damage the finish.
- Do not place material with high temperature directly onto the surface of your furniture.
- Clean up spills quickly. Water left over a prolonged period of time may cause damage. Alcohol, perfume, nail polishes, aftershave and some medication may cause severe finish damage if not cleaned immediately.
- Use a clean, soft, dry, lint free absorbent cloth to clean your furniture. Do not use any detergent as they may contain ingredients that may react and damage the finish.